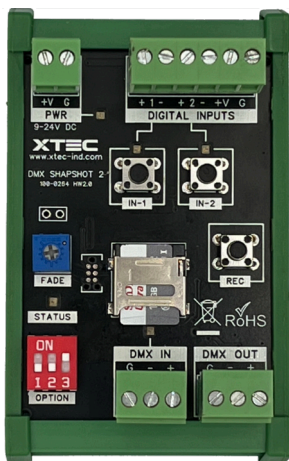


# DMX Snapshot

## Industrial DMX512 lighting controller with 4 memories and 2 digital inputs



### Features

- Single universe DMX512 output
- Single universe DMX512 input, for sampling / fail-safe
- 4 memories, backed up on Industrial MicroSD card
- Several operating modes, set by DIP switch
- Adjustable fade time between scenes
- Two opto-coupled control inputs, 24v compatible
- 9 - 24v DC supply
- Compact, DIN rail mounted module
- All wiring via removable terminal blocks

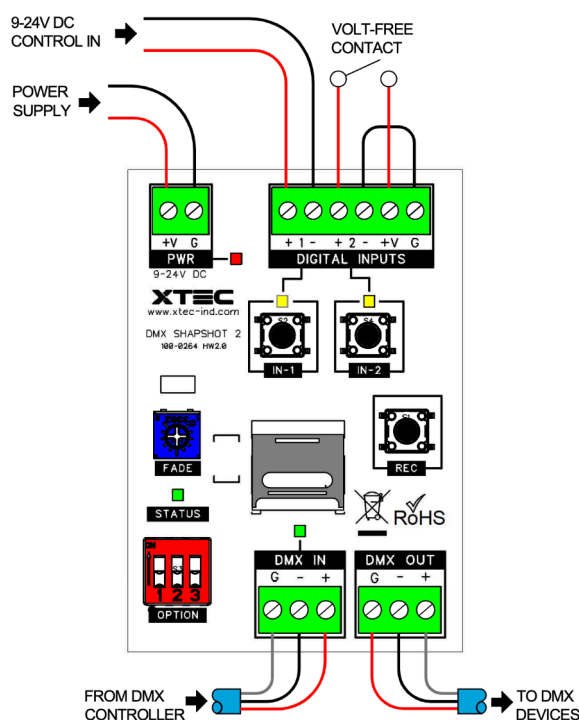
The XTEC DMX Snapshot is a DIN-rail mounted DMX512 controller, with four memories, and two digital inputs. It is intended for industrial applications that require simple control of DMX512 devices via relays, switches or 9-24v DC signals. Typical examples may include using a PLC to control a smoke machine, or using a sensor to control lighting in a museum exhibit.

The device can also operate as a fail-safe device for another lighting controller: In normal operation the DMX input will pass through to the DMX output. If the DMX input fails, memory 1 will be output.

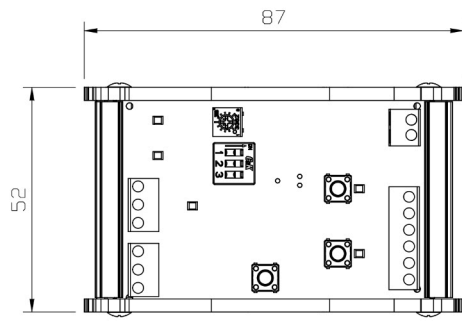
To record a memory, an external lighting controller is connected to the DMX input, and "snapshots" are recorded via buttons on the device. These memories may now be recalled in various ways via the 2 digital inputs: Two memories using momentary inputs, four memories using binary maintained inputs, alternate flashing / fading mode, or random flicker mode. A removable MicroSD card is included, which can be used to backup and transfer snapshots as required.

The DMX Snapshot is powered from 9-24v DC, and the opto-coupled inputs are 9-24v DC compatible. All terminations are via removable screw terminal blocks, for ease of wiring and maintenance.

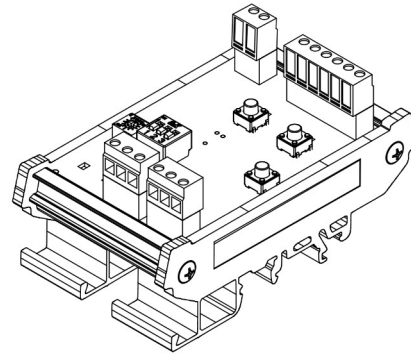
### Interface and connections



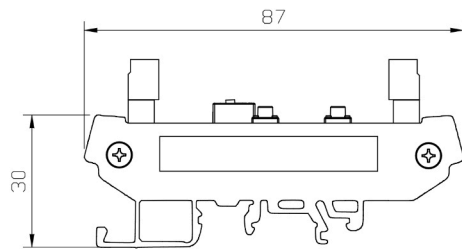
## Dimensions



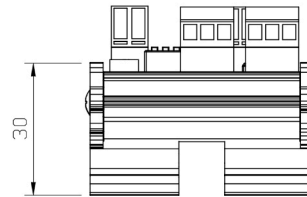
TOP VIEW



ISOMETRIC



SIDE VIEW



END VIEW

## Specifications

DMX512 INPUT	Standard	USITT DMX512-A - Non Isolated
	Channels	512 (1 universe). 4 snapshots of 512 channels recorded
	Connector	3 pin removable 3.81mm terminal block
DMX512 OUTPUT	Standard	USITT DMX512-A - Non Isolated
	Channels	512 (1 universe). All 512 channels transmitted
	Connector	3 pin removable 3.81mm terminal block
Digital inputs DIN1 / DIN2	Type	Opto-coupled, with reverse polarity protection
	Voltage range	<3v DC = OFF. >9v DC = ON. Absolute max input 26v DC
	Connector	6 pin removable 3.81mm terminal block. Includes power terminals
Power supply	Voltage range	9 - 24v DC
	Current	20mA max
	Connector	2 pin removable 3.81mm terminal block
Physical	Operating temperature	0-60°C
	Protection	IP00 (intended to mount inside an enclosure)
	Dimensions	75mm (w) x 78mm (h) x 47mm (d)
	Weight	80g
	Heat load	1.7 BTU
Other	Fade control	Screwdriver pot, sets 0-10 seconds fade between memories
	Options DIP switch	Switch 1 & 2 select mode. Switch 3 sets 120Ω DMX input termination
	Storage	High reliability industrial MicroSD card, FAT32 format, removable
	User Interface	Via push buttons and LED's
	Warranty	12 months from date of purchase

Product SKU: 100-0264 2.0

Specifications subject to change without notice.

XTEC is a registered trademark of XTEC Industries Pte Ltd

18<sup>th</sup> April 2024

